

Specification Table

Model	2 Post Lift		Gate Type 2 Post Lift		
	LM8230/LM8231	LM8232	LM8233	LM8234	LM8236
Model No.	LM8230/LM8231	LM8232	LM8233	LM8234	LM8236
Type	Offset	Wide	Offset	Wide	High Post Wide
Capacity	2,700/3,200 kg	3,200 kg		3,200 kg	
Lifting Height	1,800 mm (1,750 mm / Flat Type)		1,800 mm (1,750 mm / Flat Type)		
Drive System	Electro Hydraulic with Chain		Electro Hydraulic with Chain		
Synchronizing System	Chain		Chain		
Lifting Time to Max. Height	36 sec / 60 Hz		36 sec / 60 Hz		
Motor	3-phase, 1.5kw (50/60 Hz)		3-Phase, 1.5kw (50/60 Hz)		
Oil	ISO VG32 (Hydraulic Oil)		ISO VG32 (Hydraulic Oil)		
Oil Quantity	9 Lit		9 Lit		
Dimensions					
Base Width	3,060 mm	3,548 mm	3,060 mm	3,548 mm	3,548 mm
Overall Height	2,850 mm		3,830 mm	3,830 mm	4,175 mm
Overall Width	1,200 mm		1,200 mm		
Arm(Front)	475 ~ 995 mm	685 ~ 1,320 mm	475 ~ 995 mm	685 ~ 1,320 mm	685 ~ 1,320 mm
Arm(Rear)	min685 ~ max1,320 mm		685 ~ 1,320 mm		
Pad Height	min98 ~ max133 mm		98 ~ 133 mm		
Vehicle Passing width	2,352 mm	2,840 mm	2,352 mm	2,840 mm	2,840 mm
Weight	1,090 kg	1,100 kg	1,180 kg	1,190 kg	1,230 kg
Safety Device					
Anti-drop Mechanism	Safety Ratchet(Drive side)		Safety Ratchet(Drive side)		
Stopper for Arm Swing	Arm Auto Lock System		Arm Auto Lock System		
Sudden Drop Shut-Off Valve	Fuse Valve		Fuse Valve		
Upper Limit(Stopper)	-		Wire Type Limit Switch		
Target Vehicle	Up to Middle Class	Up to 2t Short Truck	Up to Middle Class	Up to 2t Short Truck	

* All Model should be installed indoor. *Plated arm for Car washing are available above 3 models.

Item Table

			Capacity		Lifting Height		Type			Floor State		
			2.7t	3.2t	1,750mm	1,800mm	Offset	Wide	High Post Wide	Wash-enabled	Floor	Flat Floor
2Post Lift	LM8230-	0000	●			●					●	
		0005	●			●						●
	LM8231-	0000		●		●					●	
		0005		●		●						●
	LM8232-	0000		●		●		●			●	
		0005		●		●		●				●
Gate Type	LM8233-	0000		●		●					●	
		W000*		●		●				●	●	
		0005		●		●						●
	LM8234-	0000		●		●					●	
		W000*		●		●		●			●	
		0005		●		●		●				●
	LM8236-	0000		●		●					●	
		W000*		●		●		●			●	
		0005		●		●		●				●
			W005*		●		●					●

Caution : For your safety , Please read the "Instruction Manual" before you use.

ALTIA Co,Ltd

Tokyo: 7-20-10 Nishikasai Edogawa-ku Tokyo 134-0088
Phone: +81-3-5659-8162 · Fax: +81-3-5659-8595 · www.altia.co.jp/

Supporo: 3-1-81 Sanzoy Higashinaebo Higashi-ku Supporo 007-0803
Phone: +81-11-786-2010 · Fax: +81-11-786-2010

Sendai: 3-2-15 Ogi-cho Miyagino-ku Sendai-shi Miyagi 983-0034
Phone: +81-22-232-1491 · Fax: +81-22-232-1491

Nagoya: 26 Yutakagaoka Meitou-ku Nagoya-shi Aichi 465-0035
Phone: +81-52-775-4010 · Fax: +81-52-775-4010

Osaka: 2-1-29 Nagatahigashi Osaka-shi Osaka 577-0012
Phone: +81-6-6746-4960 · Fax: +81-6-6746-4960

Hiroshima: 5-10-23 Shyoko-center Nishi-ku Hiroshima-shi Hiroshima 733-0833
Phone: +81-82-277-2340 · Fax: +81-82-277-2340

Fukuoka: 3-6-1 Higashihie Hakata-ku Fukuoka-shi Fukuoka 812-0007
Phone: +81-6-6746-4960 · Fax: +81-6-6746-4960

Part of the machines is illustrated with optional extras available at extra cost. Technical modifications reserved.

Cod : 9402 698 · 09/2011

SKY MAXII 2.7t/3.2t

ALTIA

SKY MAXII



■ 2Post Lift Series

■ Gate Type 2Post Lift Series

ALTIA Co,Ltd

2 Post Lift Serie

Perennial standard models!
Lineup with offset arms,
wide models!



Photo : LM8230-0000

- Capacity : 3,200kg
- Lifting Height : 1,800mm
- Height of Lift : 2,350mm
- Width of Lift : 3,060mm

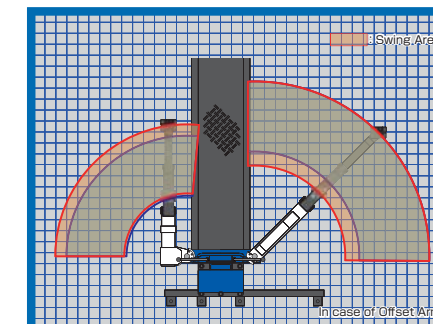


3-stage arms support wide vehicles! Setup is also easy!

Wide swing arc

The 3-stage slide arm has a wider swing arc than ever, supporting short wheelbase 1boxcars to large Sports Utility vehicles.

* Depending on the vehicle model, an extension attachment or frame attachment may be required.

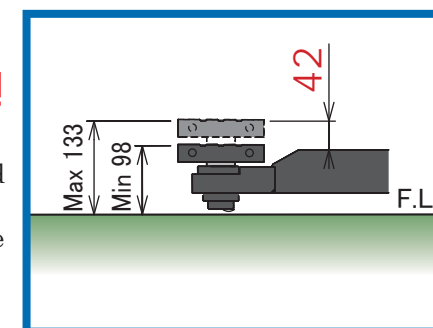


Aero-equipped cars also OK!

The arms have been made thinner and the minimum height of the attachment is unchanged at 98mm, guaranteeing plenty of clearance between the top of the retracted arms and vehicle side sills.

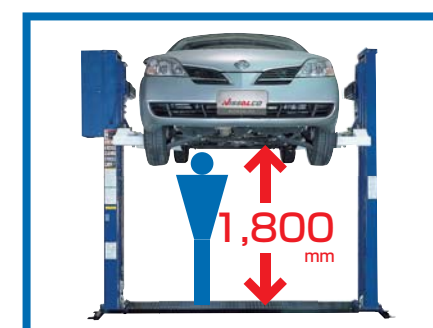
The lift can even hoist aero-parts-equipped vehicles with low side sills without any worry of interference with the arms.

※ depending on the vehicle model, attachments than support aero-parts-equipped vehicles may be required.



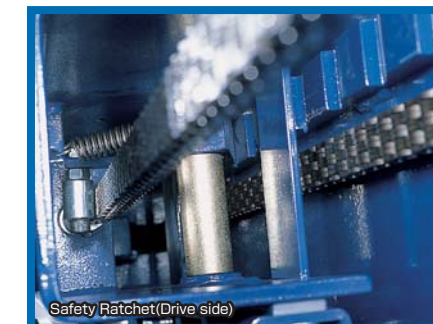
Spacious work area

Guaranteed lift height of 1,800mm. Even tall mechanic can work with enough spare. The gate-type lift keeps the floor workspace flat, making it easy to move workbenches, oil drains, and other equipment in and out, to improve efficiency.



Lot of safety mechanisms

Employs a rack system not just on the drive side, but also on the driven post for drop prevention. There is no danger of a sudden drop from chain failure or other unlikely trouble. In addition, the front and rear arms are lock free at the minimum height for extra convenience, and are automatically locked during lifting.



Gate Type 2 Post Lift Series

Flat floor, hindrance-free!
Lineup includes models with
plated arms for car washing!



- Capacity : 3,200kg
- Lifting Height : 1,800mm
- Height of Lift : 3,830 / 4,175mm
- Width of Lift : 3,060 / 3,548mm

Photo : LM8234-0000



Option

- Extension Attachment(L/H 4pcs, each)
LM8385-0100



- Attachment for NISSAN K13, MG33, Z12
LM8200-0700



- Spring Attachment
LM8200-0600



- Aero-equipped car Correspondence Attachment
LM8200-0800



- Frame Attachment L(2pcs) / H(2pcs)
LM8200-0300
LM8200-0400

