

3.0t PANTOGRAPH LIFT

LM8760-000R Slide Board
LM8762-000R Slim Slide Board

3.0t Pantograph Lift with Built-in Hydraulic Unit

Excellent Power Lift Series

Ideal for maintenance of light to ordinary vehicles!

Applicable to light to ordinary vehicles!

Recommended for cold and coastal areas!
LM8760-00SR
Anti-rust coating specifications



Photo : LM8762-000R

- Capacity... 3,000 kg
 - Lifting height... 1,750 mm
 - Motor... 3-phase 200V 1.5kW
 - Operating air pressure... 0.69-0.97Mpa
 - Standard accessories... 4 soft attachments
- (W100 × D400 × H80)

- Excludes one-box cars, RVs, and small trucks.
- This lift cannot be installed outdoors or used for car washing.
- There is also a lineup of slide board type for 2.5t light cars and separate unit type.

Lift Lineup Catalog
Lift Lineup Catalog

ALTA

Lift Lineup Catalog

Pantograph lift series/gantry two-post lift series/two-post lift series



Aiming to eliminate accidents related to maintenance equipment.....

Let's prevent accidents due to non-performance of inspections!



Inspection points

- Confirmation of wire rope and chain
- Confirmation of safety devices
- Confirmation of oil change and leakage
- Confirmation of lubrication around each pin and rollers
- Confirmation of wear of rubber pad
- Confirmation of abnormal noise and vibration
- Confirmation of abnormal

~To customers using our lifts~
Would you like to have your lift checked regularly?

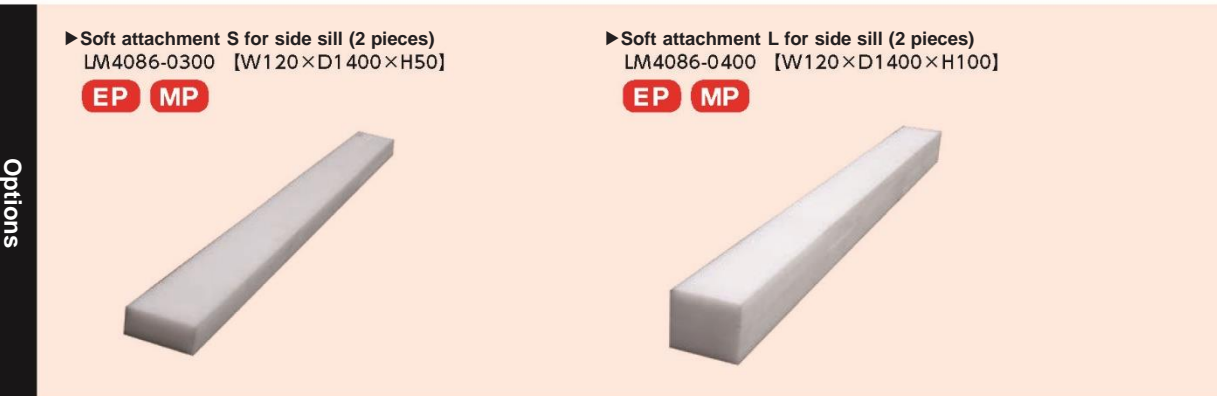
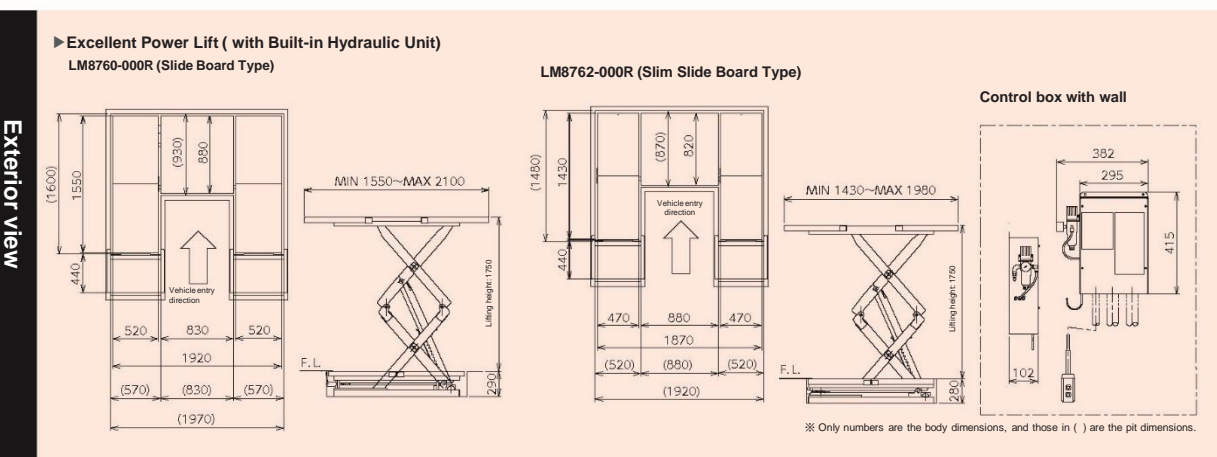
In order to prolong the service life of our products, which you have been using on a daily basis, we offer paid inspections by our qualified lift inspectors. For safe usage at all times, in addition to the daily inspection by customers themselves, reliable inspection by a qualified person is indispensable. We recommend early detection of defects through routine inspections and complete maintenance through regular inspections.

What is a "Qualified Lift Inspector"?
This qualification system was established on March 20, 2007 by the Japan Automotive Service Equipment Association for the purpose of properly inspecting automobile maintenance lifts and preventing accidents.

ALTA Japan Service Network

We have deployed Service Stations (NSS) throughout the country, with our branches serving as key stations. We have a perfect service support system in place.

Sapporo Branch	Sendai Branch	Metropolitan Area Branch	Kanetsu Branch	Nagoya Branch	Osaka Branch	Hiroshima Branch	Fukuoka Branch
NSS Kitami	NSS Hiroaki	NSS Saitama North	NSS Ibaraki	NSS Toyama	NSS Shiga	NSS Tottori	NSS Western Japan
NSS Asahikawa	NSS Tokuwada	NSS Saitama West	NSS North Kanto	NSS Ishikawa	NSS Uji	NSS Shimane	NSS Fukuoka Center
NSS Asahikawa Center	NSS Morioka	NSS Saitama East	NSS East Niigata	NSS Fukui	NSS Yao	NSS Toyama	NSS Hakata
NSS Obihiro	NSS Hokujo	NSS Saitama South	NSS Chuetsu	NSS Fujieda	NSS Yokkaichi	NSS Hiroshima	NSS Saga
NSS Kushiro	NSS Akita	NSS Saikyo	NSS Higashinagano	NSS Hamamatsu	NSS Mie	NSS Ikeda	NSS Nagasaki
NSS Sapporo	NSS Sendai	NSS Tokorozawa	NSS Nagano	NSS Gifu	NSS Ise	NSS Takamatsu	NSS Higashi Kumamoto
NSS Sapporo West	NSS Nagase	NSS Chiba	NSS Nagano Center	NSS Tajimi		NSS Shikoku	NSS Oita
NSS Sapporo Higashi	NSS Osaki	NSS Keiyou	NSS Ueda			NSS Nishinomiya	NSS Miyazaki
NSS Murooran	NSS Yamagata Center	NSS Jousai	NSS Matsumoto			NSS Kyona	NSS Kagoshima
NSS Hakodate	NSS Date	NSS Saitama North				NSS Kishu	NSS Okinawa



Safety Notice

In order to use the product correctly and safely, please read the Instruction Manual carefully before use.

- Please note that specifications are subject to change without notice.
- Please contact your local sales company or Altia branch for ordering and consultation.

ALTA Co., Ltd.

Address
1-8-12 Harumi, Harumi Triton Square Z-6F,
Chuo-ku, Tokyo 104-6206
Tel: 03 (6777) 0065

Sales outlet

T K I O
1 8 0 9



http://altia.co.jp/



Altia Homepage: www.altia.co.jp/

ALTA Co., Ltd.

3.2t PANTOGRAPH LIFT

LM8385-200R Mega Power III / LM8385-F00R Mega Flat (Resistant to Snow Melting Agent, with Anti-rust Plating)

3.2t Pantograph Lift with Arm and Built-in Hydraulic Unit

Mega Power III / Flat Lift Series

It achieves safe vertical ascent with the only multi-link mechanism in the industry! The flat type contributes to safer work with no pit gaps even when lifting the vehicle up!



Photo : LM8385-200R



FLAT

Photo : LM8385-F00R

For vehicles from light cars to small trucks!

Recommended for cold and coastal areas!
LM8387-200R
Resistant to snow melting agent, with anti-rust plating

- Capacity... 3,200 kg
- Lifting height... 1,800 mm
- Motor... 3-phase 200V 1.5kW
- Operating air pressure... 0.69-0.97Mpa
- Arm shape... 3-segment slide arm

- ※ Excludes long bodies of small trucks.
- ※ Vehicles weighing 3.2 tons or less can also be lifted, but some types of vehicles cannot be lifted up.
- ※ This lift cannot be installed outdoors or used for car washing.
- ※ The line-up also includes separate-unit types.

GATE STYLE TWO POLE LIFT

LM8333 Offset Type / LM8334 Wide Type / LM8335 High Post Offset Type / LM8336 High Post Wide Type

SKYMAX III

Gantry Two-post Lift Series

The floor is flat and does not cause any obstruction!

The lineup also includes lift with electroplating arms that can be used for car washing!

For vehicles from light cars to small trucks!

- Capacity... 4,000 kg
- Lifting height... 1,800 mm
- Motor... 3-phase 200V 2.2kW
- Overall height... 3,830/4,175 mm
- Overall width... 3,347/3,835 mm
- Specifications... Offset/wide/high post/for car washing
- Arm shape... 3-segment slide arm

- ※ The offset type can handle light to ordinary vehicles.
- ※ Excludes long bodies of small trucks.
- ※ This lift cannot be installed outdoors.
- ※ Only this lift can be used for car washing.



Photo : LM8334-0000R

TWO POLE LIFT

LM8329 3.2t Offset Type / LM8331 4.0t Offset Type / LM8332 4.0t Wide Type

SKYMAX III

Two-post Lift Series

Eternal and classic model!

Lift up without worrying about vehicle height!

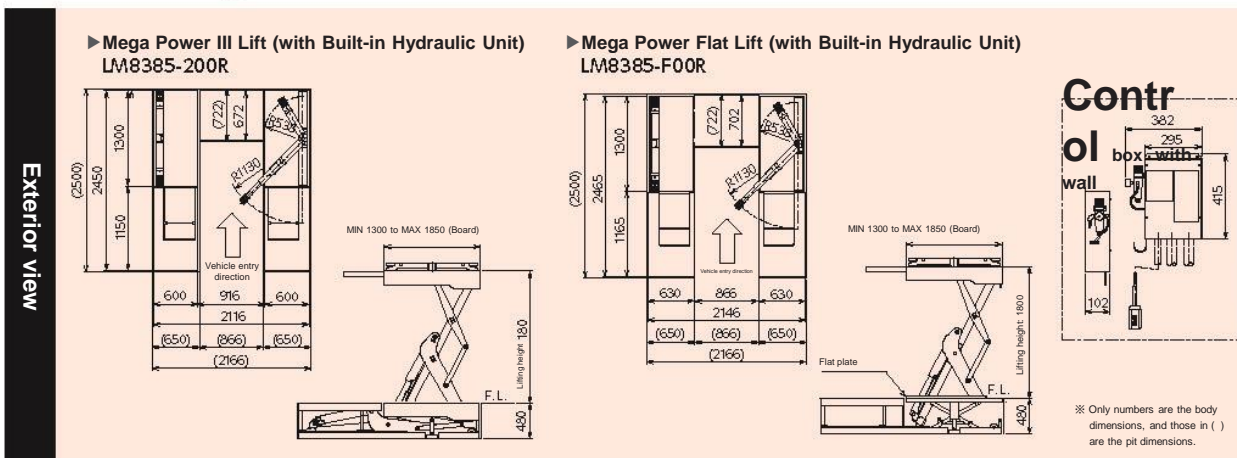
For vehicles from light cars to small trucks!

- Capacity... 3,200 kg/4,000 kg
- Lifting height... 1,800 mm
- Motor... 3-phase 200V 2.2kW
- Overall height... 2,851 mm
- Overall Width... 3,347 mm/3,835 mm
- Specifications... Offset/wide
- Arm shape... 3-segment slide arm

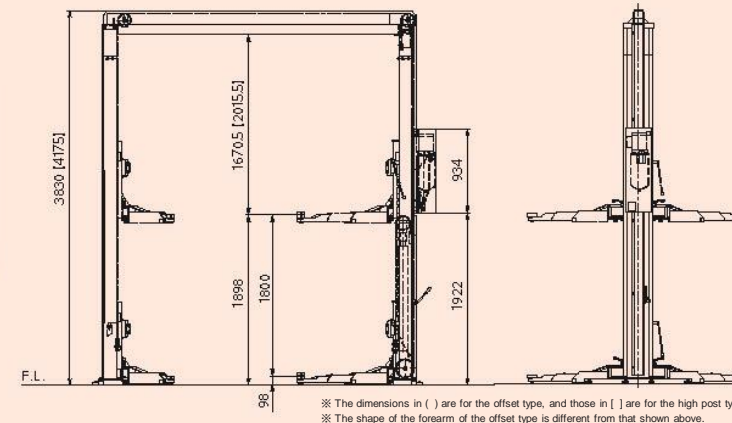
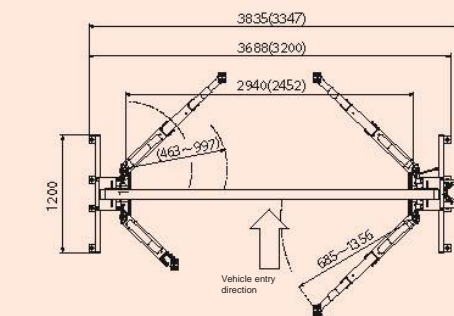
- ※ The offset type can handle light to ordinary vehicles.
- ※ Excludes long bodies of small trucks.
- ※ This lift cannot be installed outdoors or used for car washing.
- ※ Buried installation for use on a flat floor is also possible.



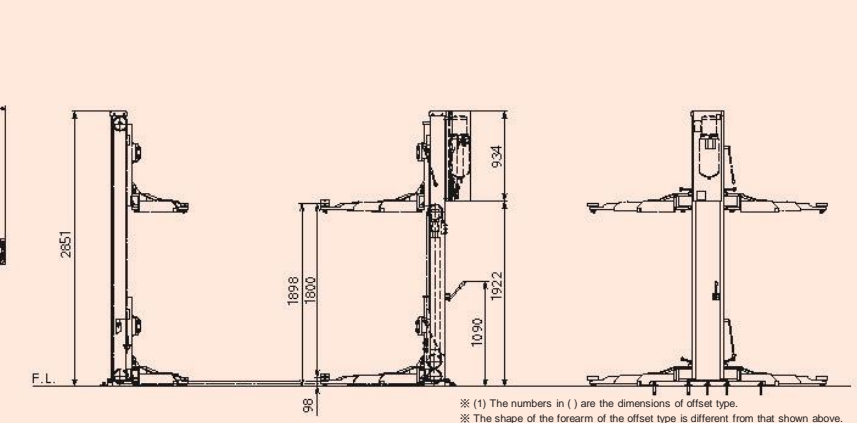
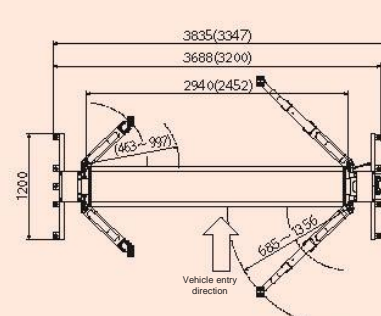
Photo : LM8332-000R



▶ Gantry Two-post Lift (Wide Type)

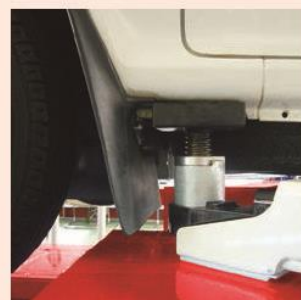


▶ Two-post Lift (Wide Type)



▶ Extension Attachment (4 pieces for LA/HA respectively) LM8385-0100

MP III SKYMAX



▶ Frame Attachment LA (2 pieces) LM8200-0300

▶ Frame Attachment HA (2 pieces) LM8200-0400

MP III SKYMAX



▶ AERO-compatible Attachment (4 pieces) LM8200-0800

MP III SKYMAX



▶ Attachment Storage Bracket (2 pieces) LM8330-0100

SKYMAX



▶ Arm Accessories Bracket (4 pieces) LM8330-0200

SKYMAX III



▶ Reel Bracket Attachment

▶ For two-post lifts SKYMAX LM8200-0100



▶ For Gantry two-post lifts SKYMAX LM8204-0100



※ Cannot be mounted to the split rubber type.

Options